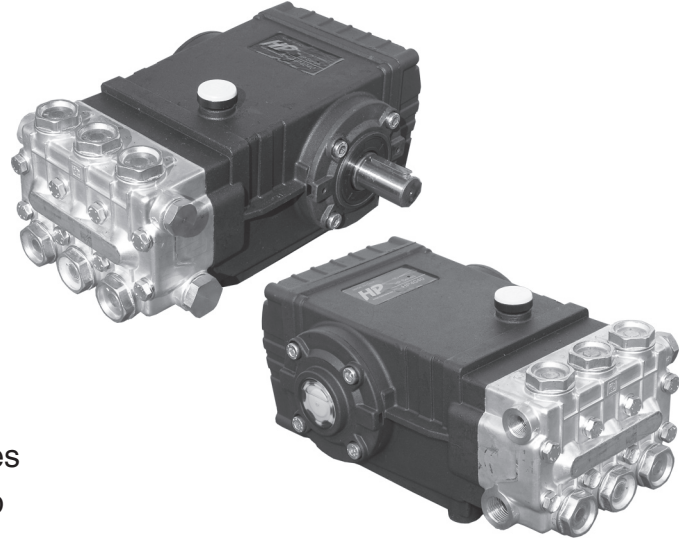


20 mm bore / 12 mm stroke

FEATURES

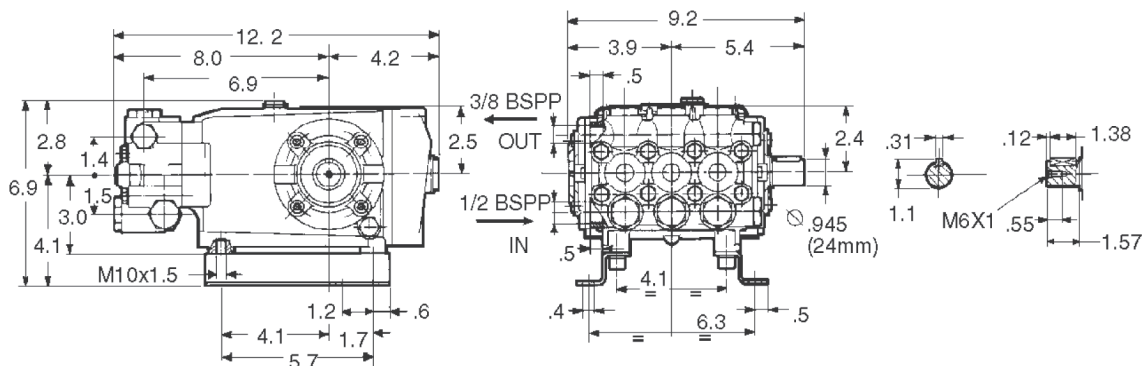
- The preferred pump frame in the pressure cleaning industry
- Forged brass manifold with an exclusive lifetime warranty
- Large-capacity, die-cast, anodized aluminum oil-bath crankcase
- Over-sized connecting rods for maximum life
- Heavy-duty tapered roller bearing
- Solid ceramic plungers with continuously lubricated packings
- Unitized stainless steel inlet and discharge valves
- Easy view oil gauge from back and side of pump



SPECIFICATIONS

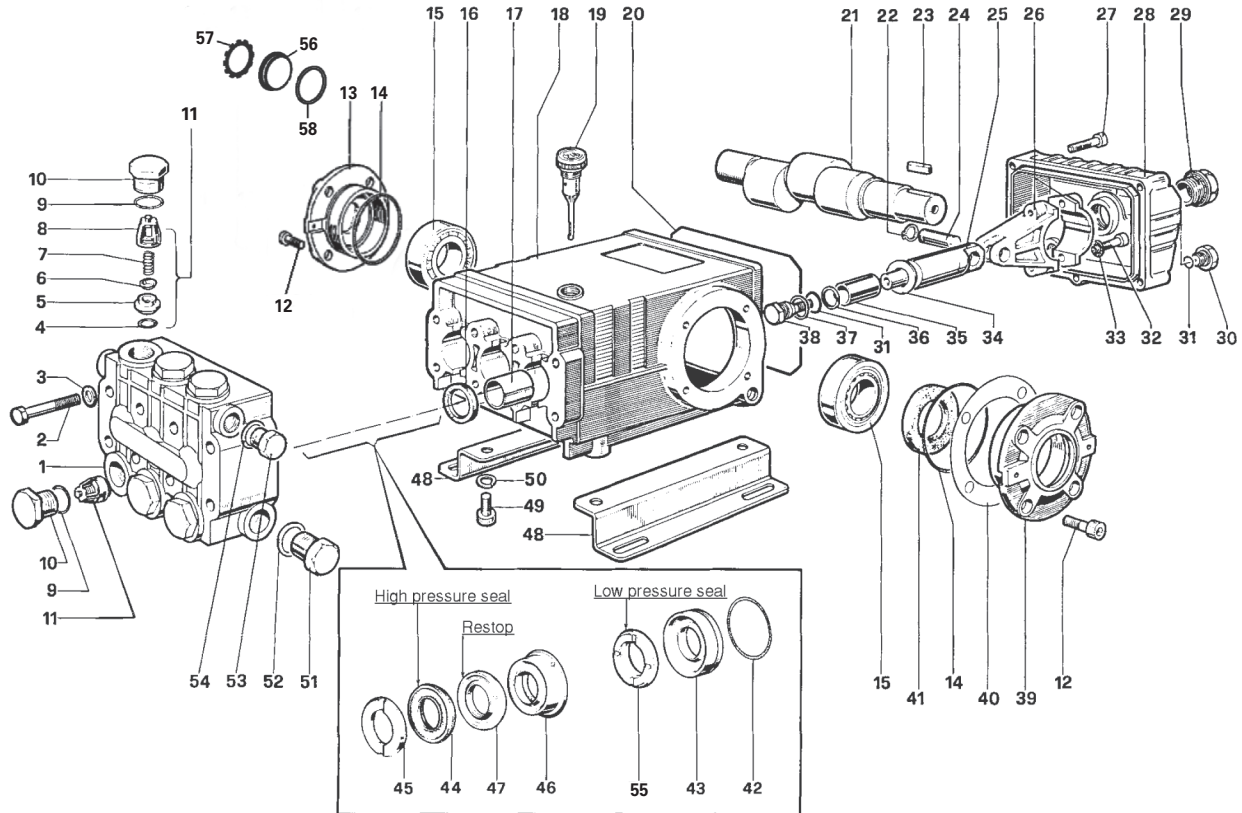
Pump Model	HP4040	
Maximum Volume (GPM)	4.0	4.75
Max. Discharge Pressure (PSI)	4000	3500
Maximum Pump Speed (RPM)	1450	1750
Maximum Inlet Pressure	125 PSI	
Maximum Inlet Vacuum	9 ft. water (7.9 in. Hg)	
Bore	.787 in. / 20 mm	
Stroke	.472 in. / 12 mm	
Crankcase Oil Capacity	40.6 oz.	
Maximum Fluid Temperature	165°F	
Inlet Port Thread	1/2-14 BSPP-F	
Discharge Port Thread	3/8-19 BSPP-F	
Shaft Diameter	.945 in. / 24 mm	
Weight	32 lbs.	
Dimensions	12.2 x 9.2 x 6.9 in.	

DIMENSIONAL DRAWING





20 mm bore / 12 mm stroke



PARTS LIST

ITEM PART NO.	DESCRIPTION	KIT NO.	QTY.	ITEM PART NO.	DESCRIPTION	KIT NO.	QTY.	ITEM PART NO.	DESCRIPTION	KIT NO.	QTY.
1. 47120841	Manifold		1	21. 47021835	Crankshaft		1	41. 90164800	Seal, Oil	3	1
2. 99320600	Screw, M8 x 70		8	22. 90055700	Ring, Snap		6	42. 90361600	O-Ring, 1.364 x .070	10, 28	3
3. 96702000	Washer, M8.4		8	23. 91489000	Key		1	43. 47080570	Retainer, Packing	10, 28	3
4. 90384100	O-Ring, .674 x .103	1	6	24. 97738000	Pin, Wrist		3	44. 90270500	Packing	28, 69	3
5. 36200366	Seat, Valve	1	6	25. 47050554	Guide, Plunger		3	45. 47100051	Ring, Head, M20	7, 28	3
6. 36200176	Plate, Valve	1	6	26. 47030001	Rod, Connecting		3	46. 47216970	Intermed. Ring	28, 71	3
7. 94737600	Spring	1	6	27. 99191200	Screw, M6 x 30		5	47. 90270400	Restop Ring	28, 69, 71	3
8. 36200251	Guide, Valve	1	6	28. 47160122	Cover, Crankcase		1	48. 47200074	Pump Feet		2
9. 90384700	O-Ring, .797 x .103	4, 5	6	29. 97596800	Oil Indicator		1	49. 99364400	Screw, M10 x 18		4
10. 98222000	Cap	4	6	30. 98204100	Cap		1	50. 96710600	Washer, M10.2		4
11. 36703201	Valve Assembly	1	6	31. 90358500	O-Ring, .426 x .070	6	4	51. 98217600	Cap		1
12. 99303900	Screw, M8 x 16		8	32. 99309900	Screw, M8 x 35		6	52. 96751400	Washer, M21.5		1
13. 47151222	Side Cover	1		33. 96701400	Washer, M8.4		6	53. 98210000	Cap		1
14. 701147	O-ring	2		34. 96728600	Washer, M14	6	3	54. 96738000	Washer, M17.5		1
15. 640047	Bearing, Roller	2		35. 47040409	Plunger, (20 mm)		3	55. 90271000	Seal, Low Press., 20mm	28, 69	3
16. 90162500	Seal, Oil	2	3	36. 90506700	Ring, Back-up	6	3	56. 70211801	Oil Sight Glass		1
17. 90912600	Bushing		3	37. 96728000	Washer	6	3	57. 90075600	Retainer Clip		1
18. 47010522	Crankcase		1	38. 47219566	Screw, Plunger	6	3	58. 90387700	O-ring, 39.34 x 2.62		1
19. 98210600	Oil Dip Stick		1	39. 47150022	Cover, Crankcase		1				
20. 90392200	O-Ring, Cover		1	40. 97567800	Shim		2				

REPAIR KITS

KIT NO.	1	2	3	4	5	6	7	10	28	69	71
ITEM NO.s INCLUDED IN KIT	4, 5 6, 7, 8 (11)	16	41	9, 10	9, 10	31, 34, 36, 37, 38	45	42, 43	42, 43, 44, 45, 46, 47, 56	44, 47, 56	46, 47
NUMBER OF ASSEMBLIES IN KIT	6	3	2	6	6	3	6	3	1	3	3
NUMBER OF CYLINDERS KIT WILL SERVICE	3	3	-	3	3	3	3	3	1	3	3

TORQUE SPECS*

Position	Ft.-lbs.
2	22.1
10	73.7
12	14.7
27	7.3
29	13.2
30	14.7
32	14.7
38	14.7
49	29.4
51	29.4
53	29.4

*Decrease torque by 20% if threads are lubricated.



7300 Commercial Circle, Fort Pierce, FL 34951 772-461-4486 Fax: 888-871-0365
e-mail: sales@pressure-pro.com web: www.pressure-pro.com